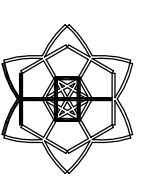
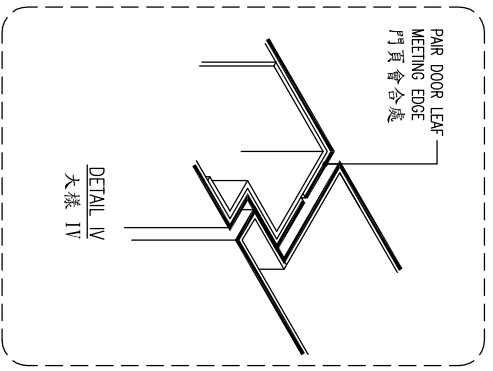
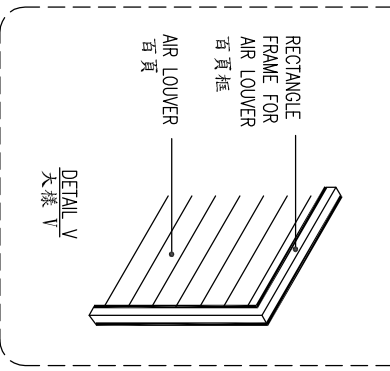
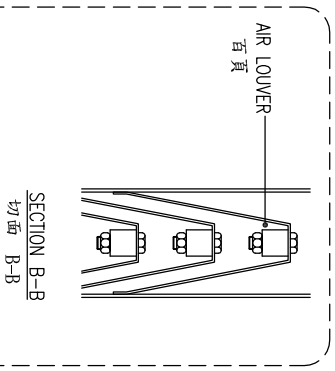
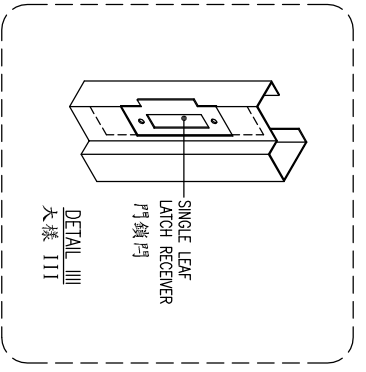
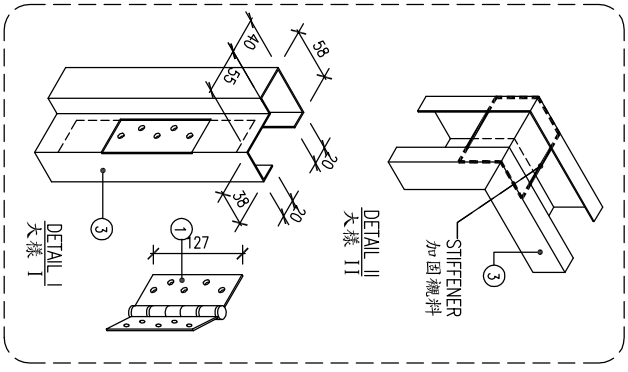
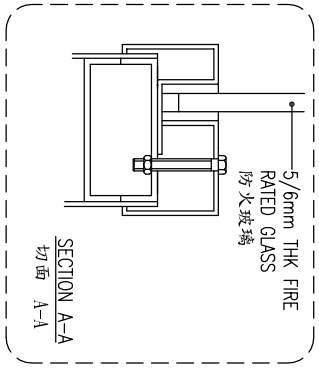


ELEVATION  
立視圖  
6-10mm CLEARANCE  
BETWEEN DOOR LEAF  
AND FLOOR  
門頁離地面6-10mm

- |                 |         |                                |          |
|-----------------|---------|--------------------------------|----------|
| 1. DOOR HINGE   | 1. 門樑   | 6. DOOR SELECTOR               | 6. 關門順序器 |
| 2. DOOR LEAF    | 2. 門頁   | 7. AIR LOUVER                  | 7. 百頁    |
| 3. DOOR FRAME   | 3. 門框   | 8. PAIR DOOR LEAF MEETING EDGE | 8. 門頁會合處 |
| 4. VISION PANEL | 4. 透視窗口 | 9. DOOR LOOK                   | 9. 門鎖    |
| 5. DOOR CLOSER  | 5. 氣鼓   | 10. FLUSH BOLT                 | 10. 門插   |



CHUNG TAI  
ROLLER SHUTTERS CO. LTD.  
UNIT 7, G/F, KIN FAT INDUSTRIAL CENTRE,  
KIN FAT ST., TUEN MUN, N.T.  
TEL: +852 2465 9323 FAX: +852 2456 1364  
E-mail: info@chungtai-rs.com.hk

DRAWING NO.: FD\_DOUBLE LEAF  
DRAWING TITLE: COMPONENTS OF DOUBLE LEAF FIRE RATED STEEL DOOR  
WITH GLAZING PANEL AND AIR LOUVER

雙掩防火鐵門連玻璃視窗及百頁組件圖